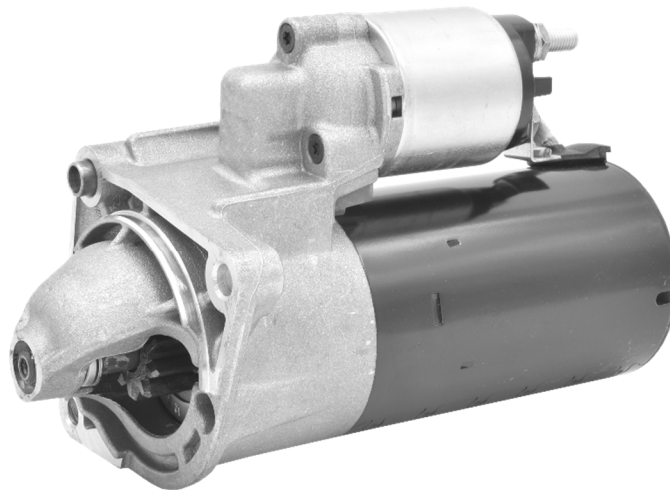


STARTERS INTERCHANGEABILITY TECHNICAL INFORMATION



GENERAL INFORMATION

Interchangeability for starters of different manufacturer and drive teeth number.

X= distance between the ends, centering bush and drive tooth ($\pm 0,2\text{mm}$).

Starters with different number of teeth drive are INTERCHANGEABLE if tooth thickness and X size are the same.

