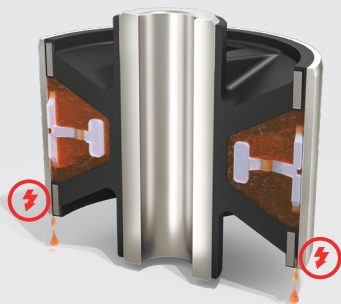


MEYLE-HD: Better than OE.
Full-rubber bushing



OE part

Hydro bushing



Problem

- Risk of hydro fluid leakage out of hydro mount

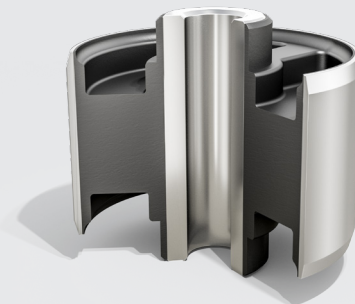


Effect

- Shorter lifetime and premature failure
- Steering vibrations
- Impaired driving safety

MEYLE-HD

Full rubber bushing



Solution

- Full-rubber bushing with optimized rubber shape and a larger bonding surface



Advantage

- No risk of leakage
- Significantly longer service life
- 4-year warranty