

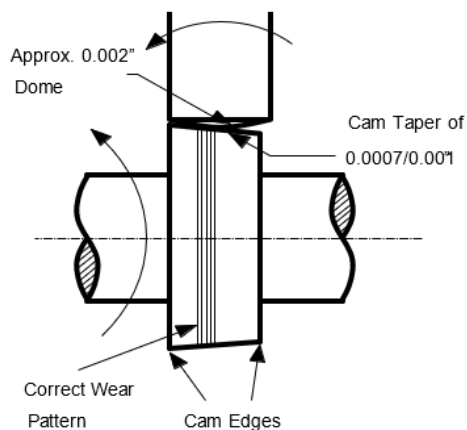
Avoid Premature Wear to New Camshafts and Cam Followers Replacement and Start Up

Cylindrical cam followers, tappets, or lifters should not create a load, which is concentrated at one edge of a cam. If this occurs, rapid wear may follow chipping, scuffing or galling on the edge of the cam.

To prevent cam edge loading, most followers have a domed contact face, also cams are machined with a slight taper. This ensures that the high-pressure contact area is towards the middle of the cam lobe, but slightly offset to assist rotation of the followers, and distribute the load over a wide area.

The geometry of the contact surfaces will not be correct and premature wear will occur if using a new camshaft with worn followers, or vice versa.

All moving parts within an engine require lubrication. Thoroughly lubricate new components during installation, prime the oil galleries, oil filter, and pump to ensure they do not cause damage when first starting.



To reduce camshaft and cam follower wear always:

- Use a new camshaft and followers. Do not mix new and worn components.
- During assembly, lubricate the camshaft and followers with clean engine oil.

For additional protection, particularly if not using the engine for some time, use a good quality "Extreme Pressure" lubricant that adheres to the surfaces until the engine is started.

- Use the engine manufacturers recommended oil, and before first starting the engine fill the oil 1. pump, filter and oil galleries. To achieve this first remove the spark plugs or injectors and then crank the engine until the low-pressure warning light goes out.

Alternatively, remove the oil pressure detector and turn the engine until oil leaks from the hole.

- Use good quality components from a reliable source.

It is not possible to state universal assembly instructions in one bulletin. Always follow the engine manufacturer's instructions in workshop manual. This is most important with modern lightweight O.H.C. engines to ensure a long and trouble-free life from a new replacement camshaft and followers.