

FITTING INSTRUCTIONS

FITTING INSTRUCTIONS FOR LOOP-LOOP MOUNTING SHOCK ABSORBERS

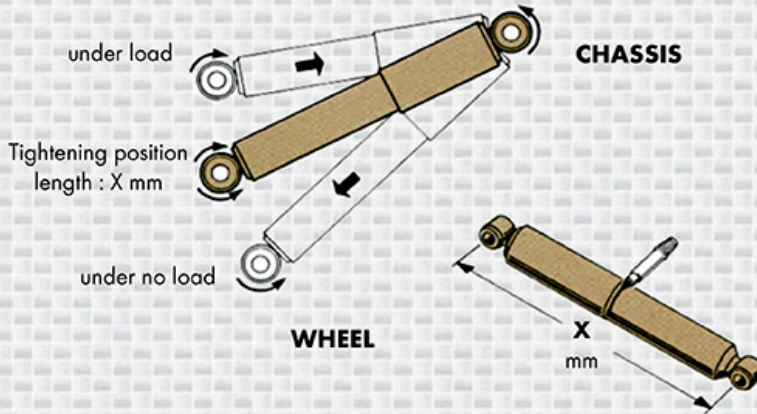
205/306/309/405



FI011EU

Compress the suspension when tightening

- Mounting bolts A & B should be tightened to the correct torque, as shown in the chart below, only when the correct Wheel height / length (X) is achieved. Depending on car model.



To facilitate installation, refer to chart below, mark a reference guide when the correct length (X) is achieved on the new shock absorber. The reference line should be used as a guide during the installation process. Ensure the reference line lines up with the dust shield before tightening the mounting bolts

CAR MODEL	LENGTH (X)	TIGHTENING TORQUES daNm.	
		A	B
Peugeot 205/306/309	288 mm.	7.5	12
Peugeot 405	328 mm.	11	11

